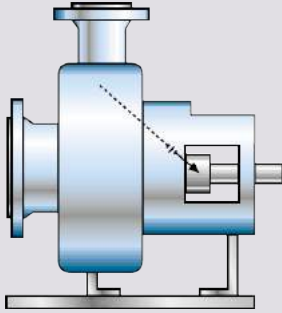
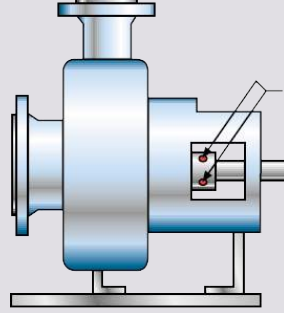


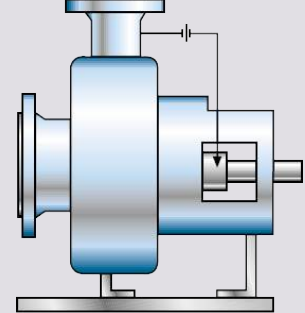
冲洗方式 API plan



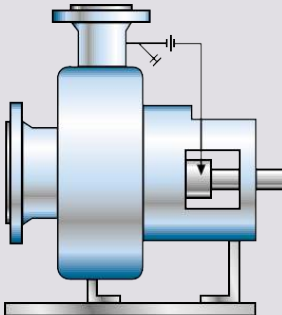
API PLAN NO.1
Integrated internal product recirculation from Pump Discharge to the seal cavity



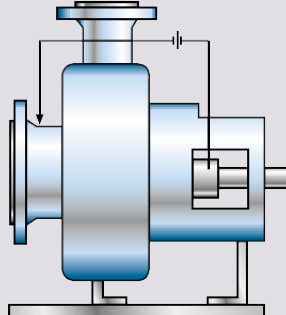
API PLAN NO.2
Environmental Control Ports Plugged off



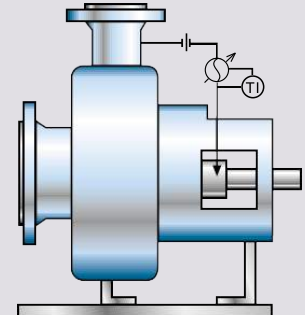
API PLAN NO.11
Product Recirculation from Pump Discharge to Seal through a Flow Control Orifice



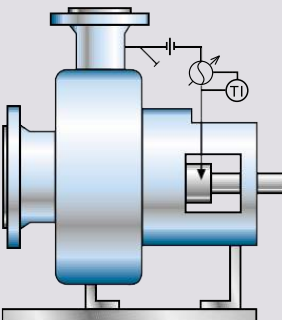
API PLAN NO.12
Product Recirculation from Pump Discharge through Flow Control Orifice and Strainer



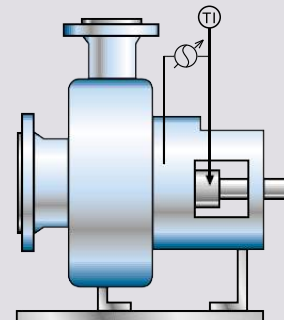
API PLAN NO.13
Product Recirculation from Seal Chamber to Pump Suction via a Flow Control Orifice



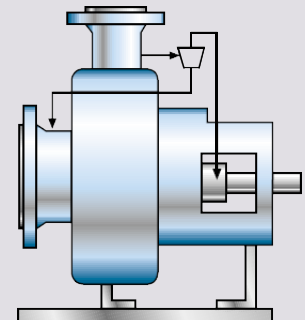
API PLAN NO.21
Product Recirculation from Discharge through Orifice and Heat Exchanger



API PLAN NO.22
Product Recirculation from Discharge through Strainer, Orifice and Heat Exchanger

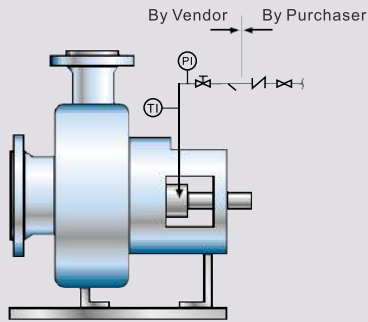


API PLAN NO.23
Product Recirculation from Seal Cavity through Heat Exchanger and back to the Seal Chamber. Normally includes some form of Pumping Ring

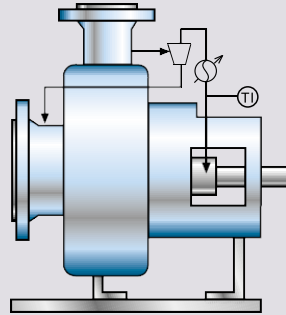


API PLAN NO.31
Product Recirculation from Discharge through Cyclone Separator which directs Clean Fluid to the seal and Dirty Fluid to the Pump Suction

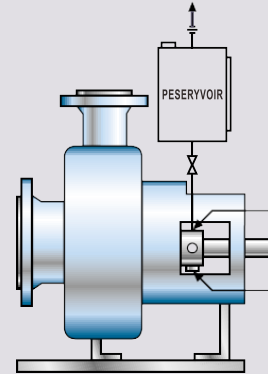
冲洗方式 API plan



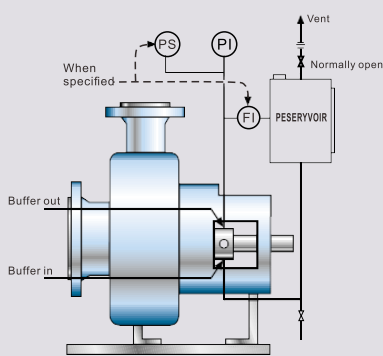
API PLAN NO. 32
Flush injected from an External Source



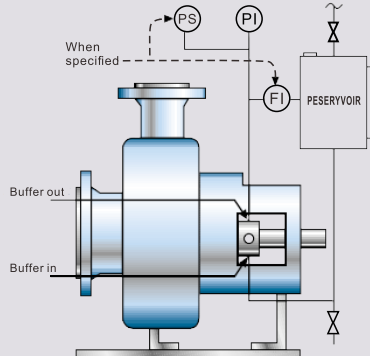
API PLAN NO. 41
Pump Recirculation from Discharge through Cyclone Separator and Heat Exchanger. Normally cool clean fluid is sent to the Seal Chamber



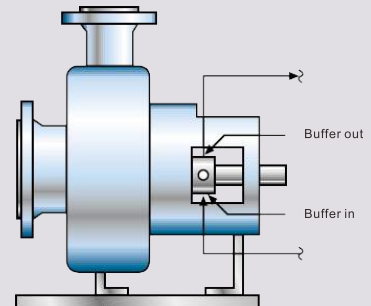
API PLAN NO. 51
Dead Ended Buffer Reservoir



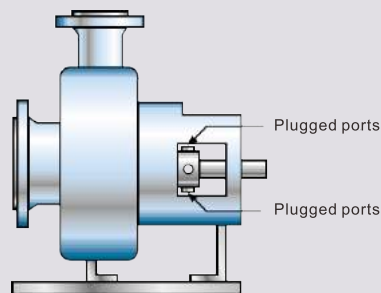
API PLAN NO. 52
Unpressurized Buffer Reservoir, Circulation normally maintained by Pumping Ring. Also system Normally continuously vented



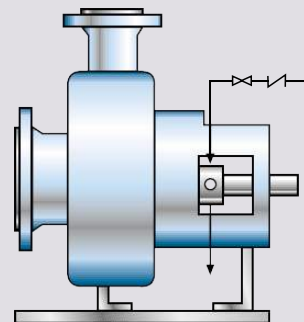
API PLAN NO. 53
Pressurized Barrier Fluid Reservoir, Barrier pressure is greater than Product pressure. Circulation is maintained by a Pumping Ring



API PLAN NO. 54
Pressurized External Barrier Fluid, normally from a separate Pumped system



API PLAN NO. 61
Tapped Ports available for Purchaser's use



API PLAN NO. 62
External Quench straight through to drain